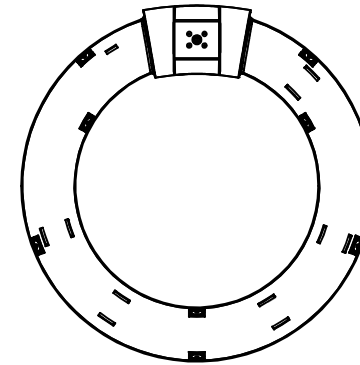
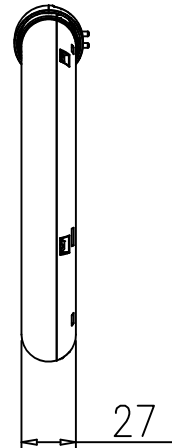
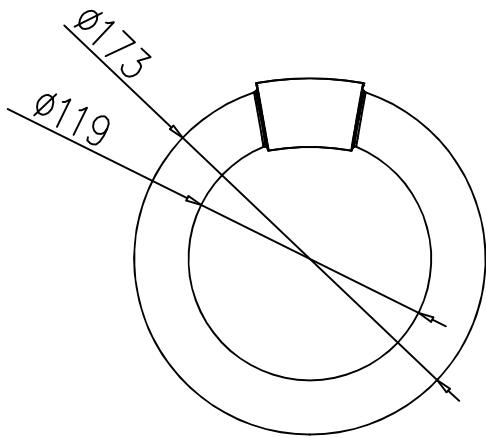
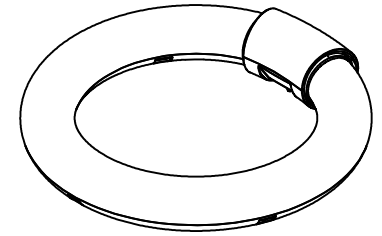
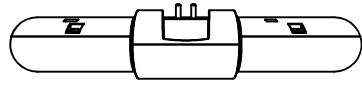


1	15形					
NO	DESCRIPTION	MAT'L	COLOR	Q'TY	REMARKS	
DESIGNED	CHECKED	THIRD ANGLE PROJECTION	SCALE: 1:1	END USE:	2026.04.25	
K. S. LEE	S. H. LEE		UNIT: mm	RELATIONAL DWG NO:		
ECO DEVICE			TITLE	DWG NO		
			EFCL 15LED-AC/28N			



1	15形					
NO	DESCRIPTION	MAT'L	COLOR	Q'TY	REMARKS	
DESIGNED	CHECKED	THIRD	SCALE: 1:1	END USE: 2026.04.25		
K. S. LEE	S. H. LEE	ANGLE	UNIT: mm	RELATIONAL DWG NO:		
ECO DEVICE			TITLE	DWG NO		
			EFCL 15LED-AC/28W			