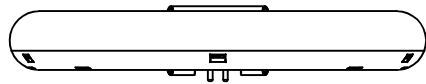
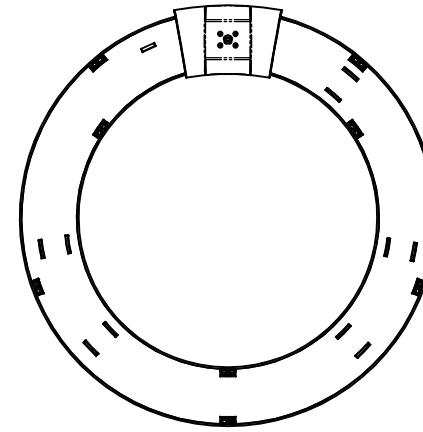
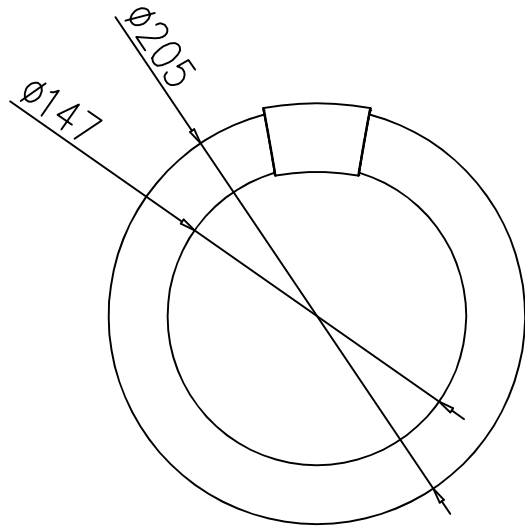
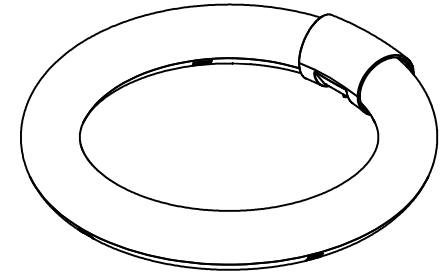
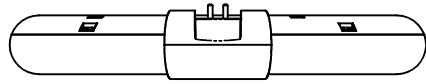


1	20形					
NO	DESCRIPTION	MAT'L	COLOR	Q'TY	REMARKS	
	DESIGNED	CHECKED	THIRD ANGLE PROJECTION	SCALE: 1:1	END USE: 2026.04.25	
	K. S. LEE	S. H. LEE		UNIT: mm	RELATIONAL DWG NO:	
ECO DEVICE			TITLE		DWG NO	
			EFCL20LED-28N			



1	20形					
NO	DESCRIPTION	MAT'L	COLOR	Q'TY	REMARKS	
	DESIGNED	CHECKED	THIRD ANGLE PROJECTION	SCALE: 1:1	END USE: 2026.04.25	
	K. S. LEE	S. H. LEE		UNIT: mm	RELATIONAL DWG NO:	
ECO DEVICE			TITLE	EFCL20LED-28W	DWG NO	