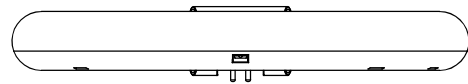
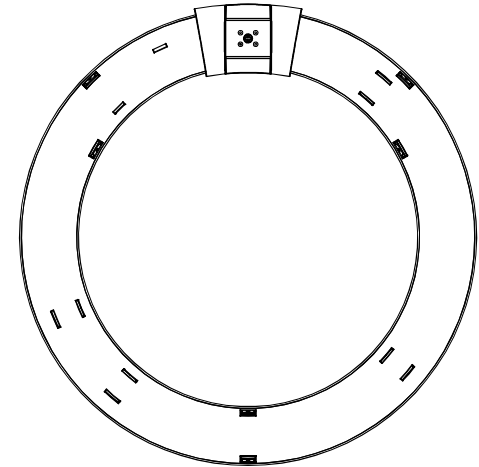
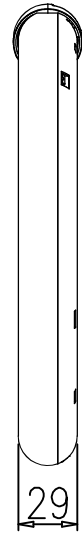
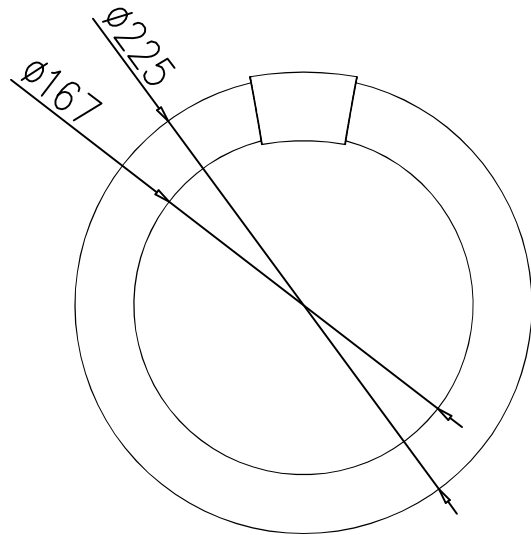
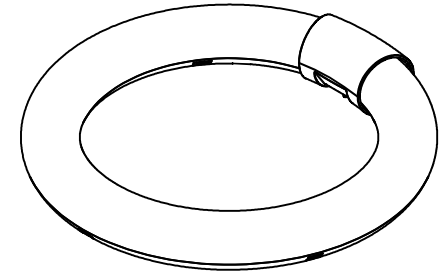
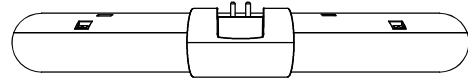


| 1          | 30形         |           |                        |               |                     |  |
|------------|-------------|-----------|------------------------|---------------|---------------------|--|
| NO         | DESCRIPTION | MAT'L     | COLOR                  | Q'TY          | REMARKS             |  |
|            | DESIGNED    | CHECKED   | THIRD ANGLE PROJECTION | SCALE: 1:1    | END USE: 2026.04.25 |  |
|            | K. S. LEE   | S. H. LEE |                        | UNIT: mm      | RELATIONAL DWG NO:  |  |
| ECO DEVICE |             |           | TITLE                  | EFCL30LED-28N | DWG NO              |  |



| 1          | 30形         |           |                        |               |                     |  |
|------------|-------------|-----------|------------------------|---------------|---------------------|--|
| NO         | DESCRIPTION | MAT'L     | COLOR                  | Q'TY          | REMARKS             |  |
|            | DESIGNED    | CHECKED   | THIRD ANGLE PROJECTION | SCALE: 1:1    | END USE: 2026.04.25 |  |
|            | K. S. LEE   | S. H. LEE |                        | UNIT: mm      | RELATIONAL DWG NO:  |  |
| ECO DEVICE |             |           | TITLE                  | EFCL30LED-28W | DWG NO              |  |