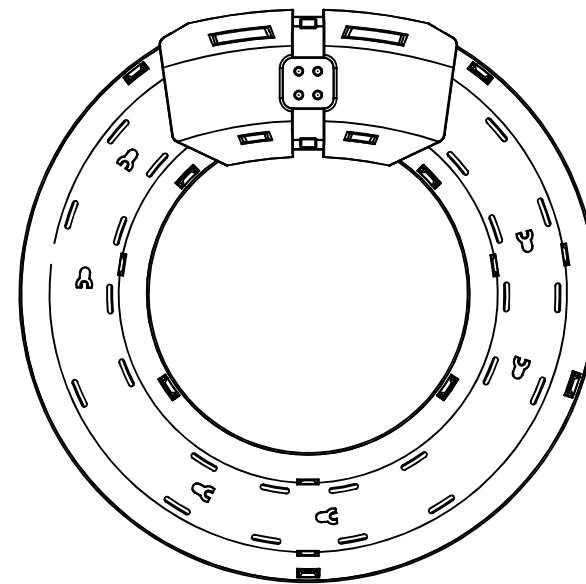
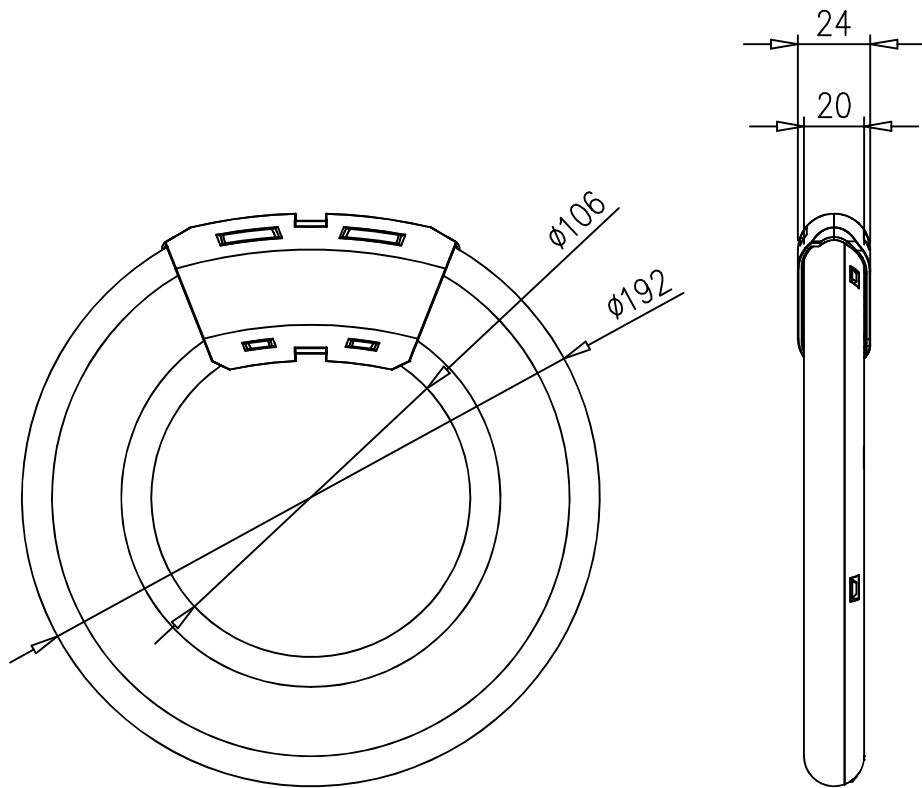


1	Product Drawing					
NO	DESCRIPTION	MAT'L	COLOR	Q'TY	REMARKS	
	DESIGNED	CHECKED	THIRD	SCALE: 1:1	END USE: 2025.04.16	
	K. S. LEE	S. H. LEE	ANGLE	UNIT: mm	RELATIONAL DWG NO:	
			PROJECTION			
ECO DEVICE			TITLE	EFHD40LED-28N	DWG NO	



1	Product Drawing					
NO	DESCRIPTION	MAT'L	COLOR	Q'TY	REMARKS	
	DESIGNED	CHECKED	THIRD	SCALE: 1:1	END USE: 2025.04.16	
	K. S. LEE	S. H. LEE	ANGLE	UNIT: mm	RELATIONAL DWG NO:	
			PROJECTION			
ECO DEVICE			TITLE	EFHD40LED-28N	DWG NO	