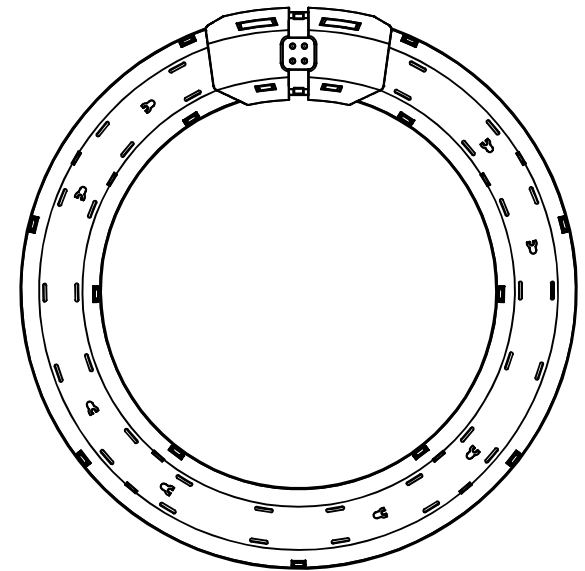
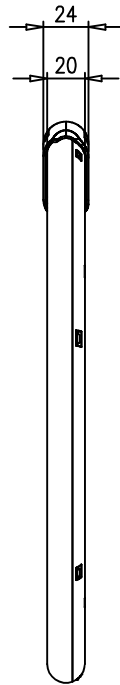
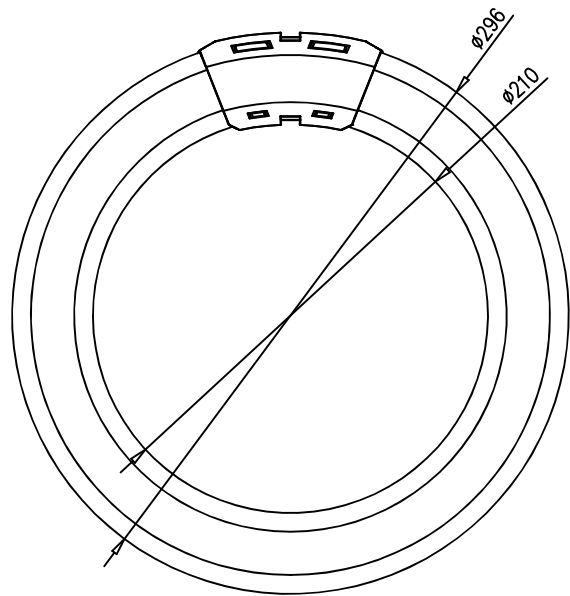


1	Product Drawing					
NO	DESCRIPTION	MAT'L	COLOR	Q'TY	REMARKS	
	DESIGNED	CHECKED	THIRD ANGLE PROJECTION	SCALE: 1:1	END USE: 2025.04.16	
	K. S. LEE	S. H. LEE		UNIT: mm	RELATIONAL DWG NO:	
ECO DEVICE			TITLE	EFHD70LED-28N		DWG NO



1	Product Drawing					
NO	DESCRIPTION	MAT'L	COLOR	Q'TY	REMARKS	
	DESIGNED	CHECKED	THIRD ANGLE PROJECTION	SCALE: 1:1	END USE: 2025.04.16	
	K. S. LEE	S. H. LEE		UNIT: mm	RELATIONAL DWG NO:	
ECO DEVICE			TITLE	EFHD70LED-28W	DWG NO	