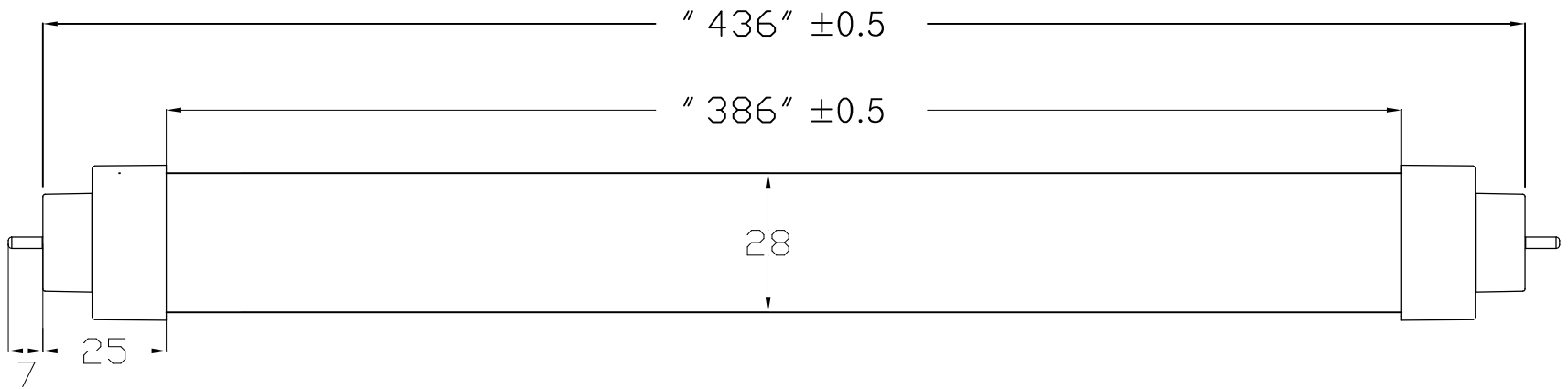
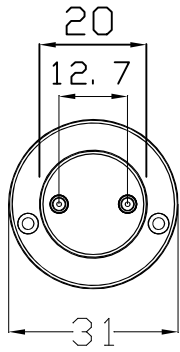


|            |                 |           |                              |            |                     |         |
|------------|-----------------|-----------|------------------------------|------------|---------------------|---------|
| 1          | Product Drawing |           |                              |            | 1 EA                |         |
|            | DESCRIPTION     |           | MAT'L                        | COLOR      | Q'TY                | REMARKS |
|            | DESIGNED        | CHECKED   | THIRD<br>ANGLE<br>PROJECTION | SCALE: 1:1 | END USE: 2026.01.20 |         |
|            | K. S. LEE       | S. H. LEE |                              | UNIT: mm   | RELATIONAL DWG NO:  |         |
| ECO DEVICE |                 |           | TITLE                        |            | DWG NO              |         |
|            |                 |           | EDLTL15LED-28N               |            |                     |         |



|            |                 |           |                              |                         |                     |         |
|------------|-----------------|-----------|------------------------------|-------------------------|---------------------|---------|
| 1          | Product Drawing |           |                              |                         | 1 EA                |         |
|            | DESCRIPTION     |           | MAT'L                        | COLOR                   | Q'TY                | REMARKS |
|            | DESIGNED        | CHECKED   | THIRD<br>ANGLE<br>PROJECTION | SCALE: 1:1              | END USE: 2026.01.20 |         |
|            | K. S. LEE       | S. H. LEE |                              | UNIT: mm                | RELATIONAL DWG NO:  |         |
| ECO DEVICE |                 |           |                              | TITLE<br>EDLTL15LED-28W |                     | DWG NO  |