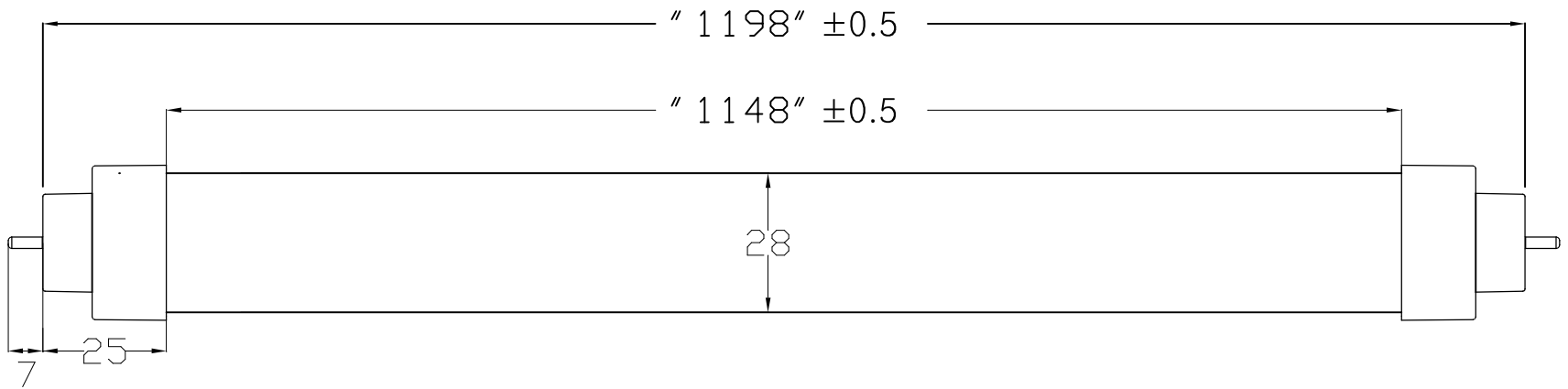
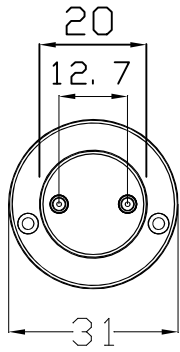


1	Product Drawing				1 EA	
	DESCRIPTION		MAT'L	COLOR	Q'TY	REMARKS
	DESIGNED	CHECKED	THIRD ANGLE PROJECTION	SCALE: 1:1	END USE: 2026.01.20	
	K. S. LEE	S. H. LEE		UNIT: mm	RELATIONAL DWG NO:	
ECO DEVICE				TITLE	DWG NO	
				EDLTL40LED-28N		



1	Product Drawing			1 EA	
	DESCRIPTION		MAT'L	COLOR	Q'TY
	DESIGNED	CHECKED	THIRD ANGLE PROJECTION	SCALE: 1:1	END USE: 2026.01.20
	K. S. LEE	S. H. LEE		UNIT: mm	RELATIONAL DWG NO:
ECO DEVICE			TITLE		DWG NO
			EDLTL40LED-28W		