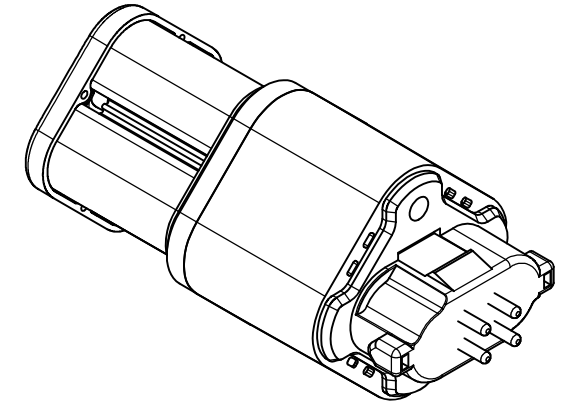
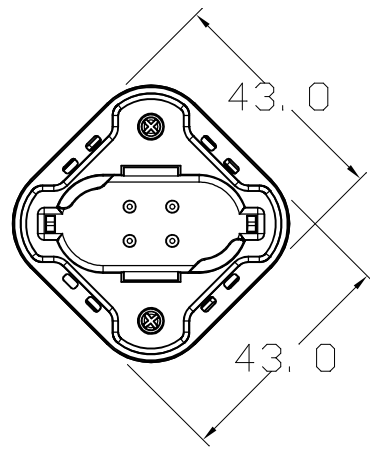
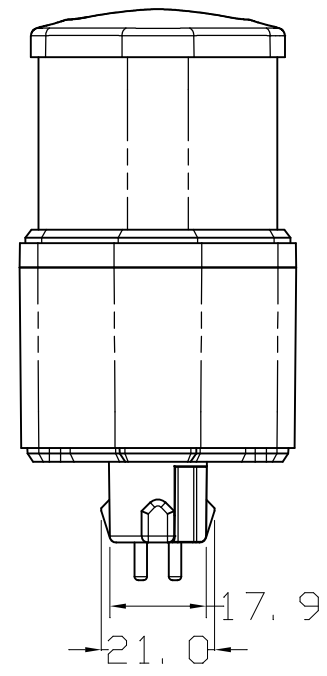
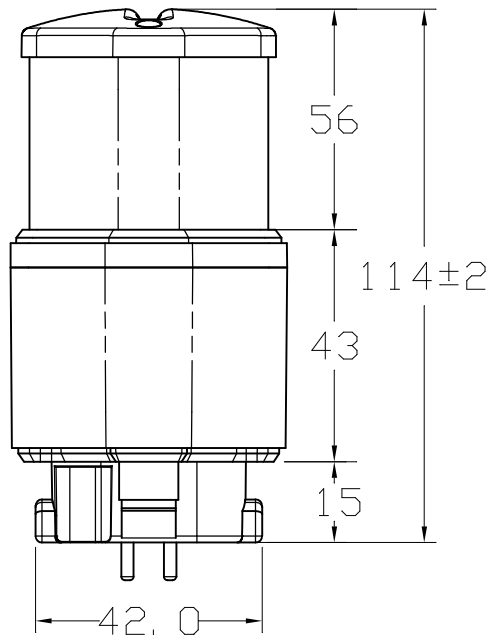


| | | | | | |
|------------|-----------------|-----------|------------------------------|------------|---------------------|
| 1 | Product Drawing | | | 1 EA | |
| | DESCRIPTION | | MAT'L | COLOR | Q'TY |
| | DESIGNED | CHECKED | THIRD ANGLE PROJECTION | SCALE: 1:1 | END USE: 2026.01.21 |
| | K. S. LEE | S. H. LEE | | UNIT: mm | RELATIONAL DWG NO: |
| ECO DEVICE | | | TITLE | | DWG NO |
| | | | EFDL13LED-N | | |



| | | | | | |
|------------|-----------------|-----------|------------------------|------------|---------------------|
| 1 | Product Drawing | | | 1 EA | |
| | DESCRIPTION | | MAT'L | COLOR | Q'TY |
| | DESIGNED | CHECKED | THIRD ANGLE PROJECTION | SCALE: 1:1 | END USE: 2026.01.21 |
| | K. S. LEE | S. H. LEE | | UNIT: mm | RELATIONAL DWG NO: |
| ECO DEVICE | | | TITLE | | DWG NO |
| | | | EFDL13LED-W | | |